



May 22, 2024

To: 4-H Members Taking Woodworking Projects

Re: Project Judging Requirements

Dear 4-H Members:

A reminder of the requirements for your project. For county judging, you will be interviewed on your project knowledge and the item that you have made. This judging will occur on Wednesday, July 17 at the fairgrounds. *In addition to the judging interview, you will be required to complete a skill activity prior to your interview.* I have enclosed a description of this skill activity. This is the same procedure that is used at the Ohio State Fair.

Please practice your skills test prior to judging day. There are times that the project placing is so close that the judges will use the skills test to determine final placings.

For your judging in July, we will supply all the needed wood and tools. You will need to provide your own eye protection. You will be allowed to use your own tools during judging if you wish. **You will need to arrive prior to your scheduled judging time to compete your skills test before you talk to the judge.**

Your skills test should be displayed along with your project during the fair.

Please follow the guidelines for your specific project. Projects made should be from the project book or be of similar size, use of tools and skills set. Projects not meeting the guidelines of the project will not be considered for state fair. State fair may disqualify projects that do not match the project requirements.

If you have any questions, please call the Extension Office.

Sincerely,

Elizabeth M. Miller
Extension Educator, 4-H Youth Development
Auglaize County

Skill Project Descriptions

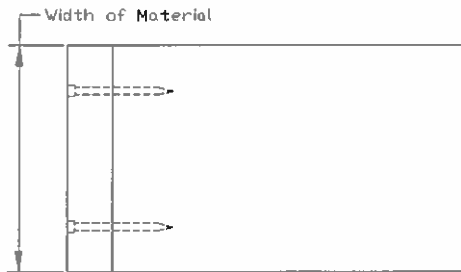
We highly recommend that you practice making your skill project before you come to the fair. The descriptions are:

Project for participants in J-1 and J-2

Given: 1 x 4 stock, 1 workmate bench, 1 hammer, 1 nail set, nails, 1 rule, 1 combination square, 1 crosscut hand saw, glue, 1 small drill bit and 1 cordless power drill will be available.

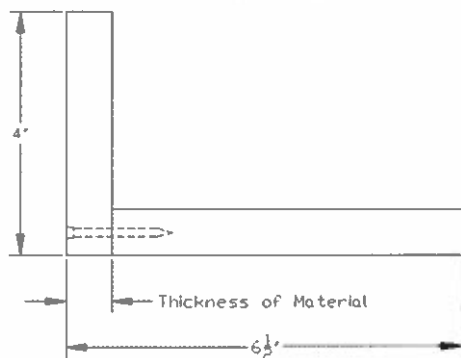
Cut and assemble two pieces as shown in ten minutes.

TOP VIEW

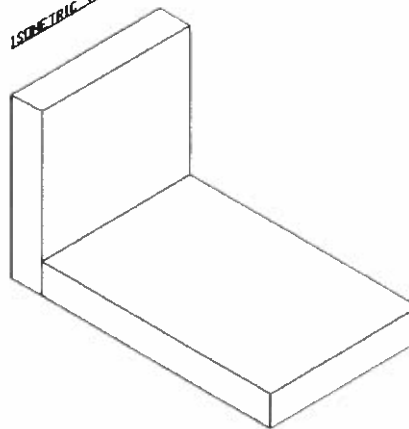


556-Measuring Up

FRONT VIEW



ISOMETRIC VIEW

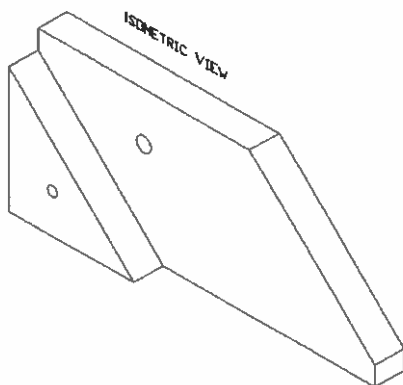


Project for participants in J-3 and J-4

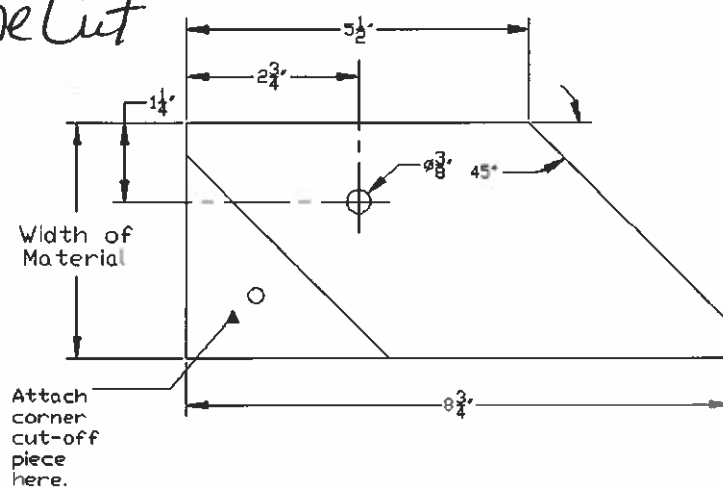
Given: 1 x 4 stock, 1 workmate bench, 1 hammer, 1 combination square, 1 crosscut hand saw, 1 steel tape measure, 1 miter box, 1 back saw, wood glue, nails, 3/8 spade bit, 1 cordless power drill will be available.

Cut piece as shown and attach corner cut-off with glue and a nail, in ten minutes.

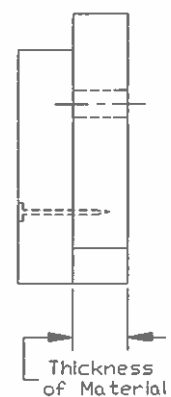
557-Making the Cut



FRONT VIEW



RIGHT VIEW

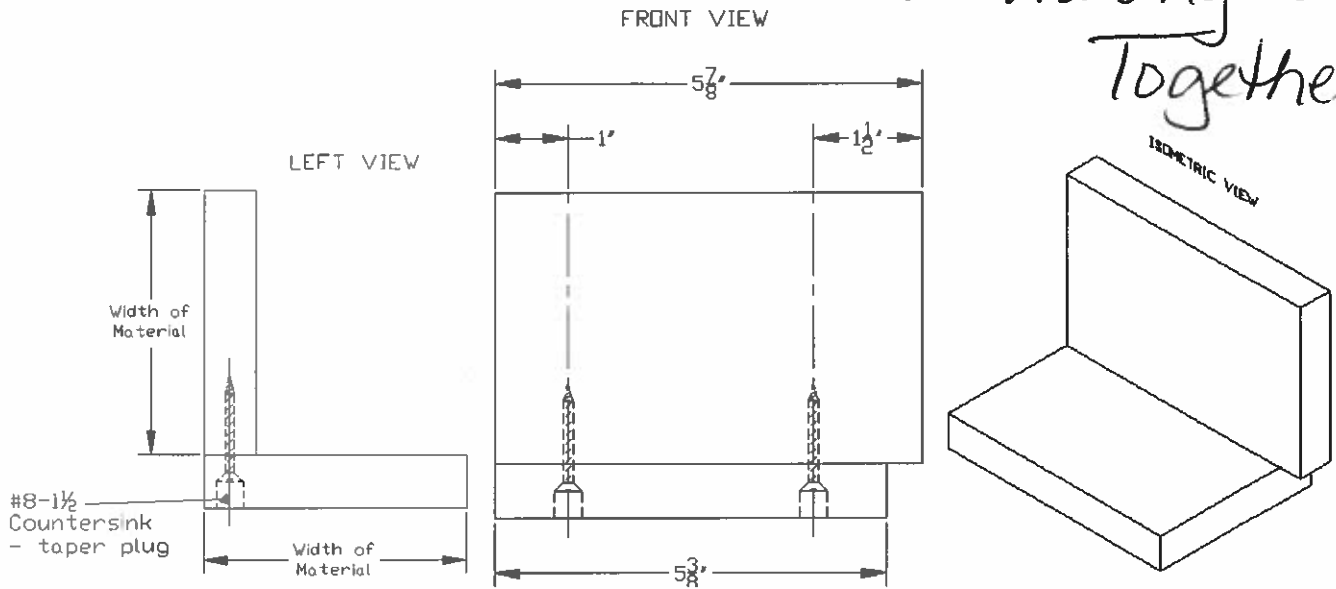


Project for participants in J-5 and J-6

Given: 1 x 4 stock, 1 workmate bench, 1 steel tape measure, 1 combination square, 1 mallet, 1 crosscut hand saw, 1 screwdriver, 1 1/4" screws, a countersink bit, 3/8" spade bit, wood glue, taper plugs, 1 cordless power drill will be available.

Cut and assemble two pieces as shown in ten minutes.

558 - Nailing It Together

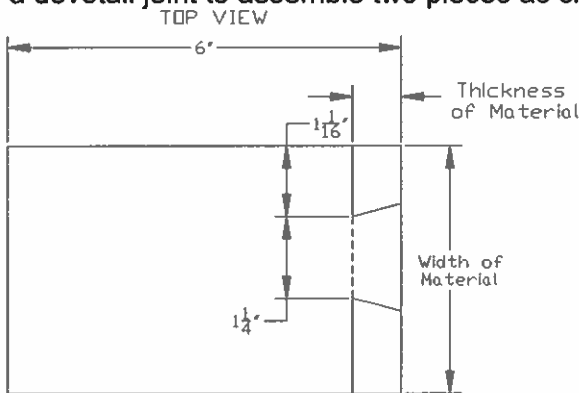


Project for participants in J-7 and J-8

Given: 1 x 4 stock pre-cut to size, 1 workmate bench, 1 steel tape measure, 1 combination square, 1 sliding T-bevel square, 1 dovetail saw, 1 mallet, and 1 coping saw.

Make a dovetail joint to assemble two pieces as shown in fifteen minutes.

559 - Finishing Up
560 M - Woodworking Master



The angle for the Pins and Tails of the dovetail joint is 70-80 degrees.

